

Believing means to trust in and to wholly depend upon Jesus alone for your salvation. If you believe these things, ask the Lord to save you **right now**. It has to come from your heart. Here's a sample prayer you might like to pray...

**“Lord Jesus, I know that I am a sinner. I deserve to go to Hell, the penalty for my sin. I believe You are the Son of God who loves me, and that You died and rose again from the dead. I now ask You to please forgive me all my sins. Please come into my heart and life, and take me to Heaven when I die. Thank you for saving me, and help me now to live for You. Amen.”**

If you have just prayed to receive Jesus Christ as your personal Saviour, we would like to send you some free information on the Christian life. Please write to us today.

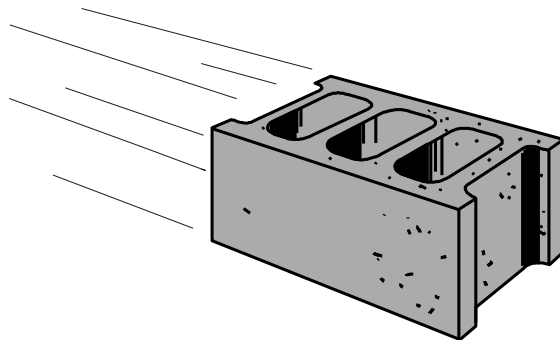
Name \_\_\_\_\_

Address \_\_\_\_\_

Phone \_\_\_\_\_

Email \_\_\_\_\_

(All verses KJV. Don't try to use a corrupt version, it will let you down.)



**Successful ...**  
**Need a brick**  
**to wake you...**

**A young and successful executive** was travelling down a quiet street, going too fast in his new Ferrari. Something caught his eye. Shocked, he saw a brick smash into his Ferrari's side! Slamming on the brakes, he reverses his prized car back to where the brick had been thrown.

Angrily, he jumps out and grabs the only kid he sees, pushing him up against a parked car, and shouts, *"What was that all about? Just what were you doing? That's my new car! What were you thinking?"*

The young boy apologetic says, *"Please, mister ... please, I'm sorry ... I didn't know what else to do."* He pleads, *"I threw the brick because no one would stop..."* With tears running down his young face, he points to a spot. *"It's my brother,"* he says, *"He rolled off the kerb and fell out of his wheelchair, and I can't lift him up."* Now sobbing, he asks the stunned executive, *"He's hurt and he's too heavy for me. Would you please help me get him back into his wheelchair?"*

Moved beyond words, the executive tries to swallow the rapidly swelling lump in his throat, and lifts the handicapped boy back into the wheelchair. A quick look tells him everything was going to be okay. *"Thank you and may God bless you,"* the grateful child tells the stranger. Too shook up for words, the man simply watches as the two make their way home.

It was a long, slow walk back to the Ferrari. The damage is very noticeable, but the executive never bothers to repair the dent as it reminds him that -

**"Don't go through life so fast that someone has to throw a brick at you to get your ATTENTION!"**

**God whispers** in our souls and speaks to our hearts. Sometimes when we don't have time to listen, a brick comes at us. **It becomes our choice to listen.** God only asks that you heed His call: He loves you and sent His only Son to Calvary, that you might, through Him, have everlasting life.

One day, we will all die. The question is not **will** you die, but rather **when** will you die. Don't leave it too late or think it will never happen to you. Like the executive, you do not know what unexpected thing you might run into during the day. It might be a brick, or possibly, death.

There is, however, a way to be ready and prepared when death comes. Jesus said, *"I am the resurrection, and the life: he that believeth in me, though he were dead, yet shall he live."* Believing on Jesus gives us assurance of eternal life in heaven, as well as inner peace and outward purpose. Only Jesus can save us from the penalty of our sins, and give us a new beginning. He wants to be your rescuer, your friend, and your God! Isn't it time you personally considered the message of Jesus Christ?

The Bible lays out a clear path to Heaven that anyone can follow:

1. **Admit** you are a **sinner** who has done wrong. (Romans 3:23)
2. **Realise** the **penalty** for sin is death. (Romans 6:23)
3. **Understand** that Jesus **loves** and **died** for you. (Romans 5:8)
4. **Turn** to and **trust** Jesus alone to take you to Heaven. (John 3:36)